

Logic 200

Task chair



The Logic 200 is an ergonomic task chair with versatile adjustment features. The chair has a medium high back and an air-pump-adjustable lumbar support. Individual and ergonomic adjustments ensure seating comfort, that increases wellbeing. The Logic office chair is designed for active and longer periods of sitting.

MATERIAL DESCRIPTION:

Seat and front side of the backrest: upholstered

Back side of the backrest:

black plastic or fully upholstered

Armrests: black aluminium, top TPU, adjustment lever grey

5-star base (ø 680 mm):

painted black or polished aluminium

Coat hanger: black plastic

Neckrest: black aluminium/plastic, upholstered cushion

ACCESSORIES:

Adjustable neckrest

Larger XL seat (width 490 mm, depth 505 mm)

Coat hanger

Normal, medium high or telescope gas spring

Foot ring (available with telescope gas spring)

Fully upholstered backrest

Soft or hard castors

FABRIC CONSUMPTION:

0.8 m / pcs

0.9 m / pcs with fully upholstered back

ADJUSTMENTS:

Seat height, tilt and depth adjustment

Backrest height and tilt adjustment (stepless)

Tilt mechanism (stepless locking), tension control

Tilt function's safety release feature

Armrest height, angle, depth and width adjustment

Inflatable lumbar pump

Neckrest adjustable in height and depth

ADJUSTMENT RANGE:

Normal gas spring 39.4-52.6 cm,

Medium high gas spring 49.5-62.5 cm,

Telescope gas spring 51-70 cm

WEIGHT:

28,4 kg

FEATURES:

User friendly and versatile adjustment options for good individual sitting ergonomics

Clear functions through pictograms

Inflatable lumbar support as a standard

Uniform upholstery as a standard, fewer seams for a cleaner visual look

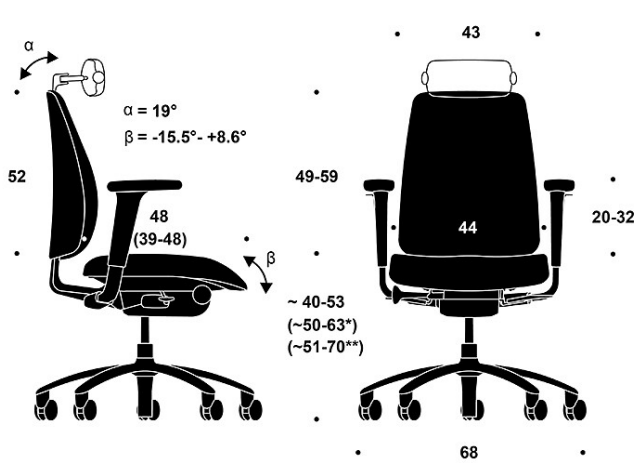
Comfort layer as a standard

Tvedt cushion

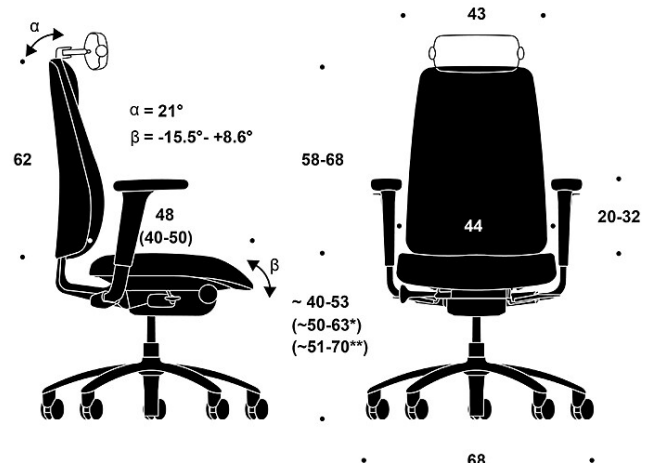
8L armrests

65 mm castors

Dimensional drawing:



Logic 200



Logic 220

* keskikorkealla kaasujousella / med medelhög gasfjäder / with medium high gas spring
 ** teleskoopikaasujousella / med teleskop gasfjäder / with telescope gas spring